



RECUPERATOR THE HEAT EXCHANGER

PLATE HEAT EXCHANGERS | E SERIES



FULL ERP2018 COMPLIANT

Applications



E SERIES

Recuperator designs and manufactures plate and rotary heat exchangers, the “core” of any heat recovery system. The high efficiency allows a drastic reduction of energy consumption and air pollution.

Incorporating heat recovery into new and retrofit projects is a duty of all of us in this environmentally aware age.

Range

- > Airflow over 20'000 m³/h
- > High efficiency, up to 80%
- > Low pressure drops; suggested ΔP 200 Pa.
- > Max differential pressure up to 2000 Pa
- > Max working temperature up to 90°C (no silicone)

Characteristics

- > Aluminium fins, epoxy coated fins (Gold)
- > Aluminium corner profiles and epoxy coated aluminium corner profiles. Galvanised steel, aluminium and epoxy coated galvanised steel side plates.
- > With or without bypass and damper.

✓ High tightness between the two airflows.

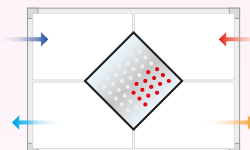
✓ Exclusive fins geometry turbulences.

(+) Free software is available. More information on www.recuperator.eu



NEW

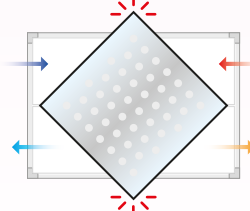
> Present configuration



✓ Space

[Sometimes]
 ! NO EcoDesign 2018 Compliance

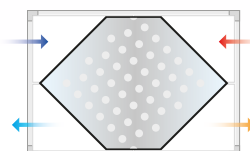
> Alternative: larger model in existing AHU structures



[Sometimes]
 ✗ NO Space

✓ EcoDesign 2018 Compliance

> Alternative: New FIT model - E Series

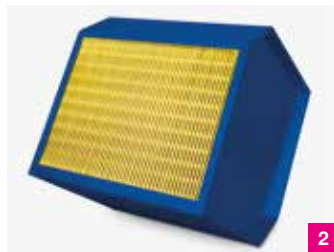


✓ Space

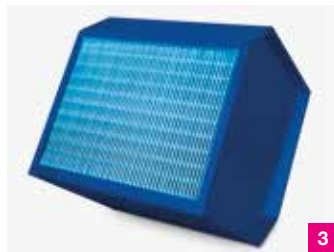
✓ EcoDesign 2018 Compliance



1



2



3

Bypass options

- › Bypass section
- › Lateral bypass
- › Central bypass
- › Aluminium damper and painted damper
- › Damper with external command
- › Damper with internal command
- › Wide range about the shaft positions of the damper
- › Other options available on Rex program

Materials characteristics

Aluminium (1)

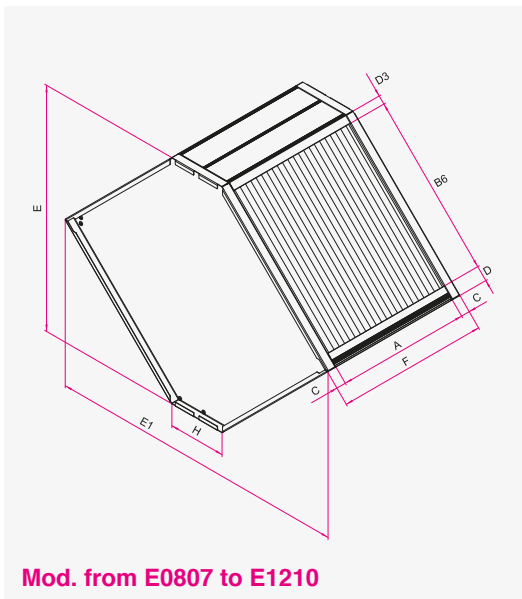
Aluminium is used in most of the applications. This is thanks to its characteristics regarding corrosion resistance, ease of processing, non-flammability and reliability over the time.

Aluminium with epoxy protection (Gold) (2)

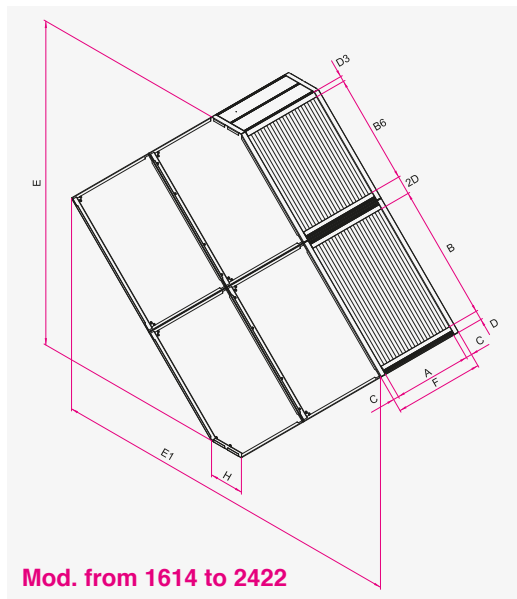
In environments with aggressive atmosphere, usually is recommended that aluminium is protected by a paint coating non-toxic based epoxy corrosion resistant (AC version - GOLD).

B-Blue (3)

To reduce the consumption of electricity for cooling, it's possible to integrate a plate heat exchanger in an indirect evaporative cooling system. Recuperator has developed a new hydrophilic aluminium coating that improves system efficiency and ensures high corrosion resistance. For more information, consult the dedicated **B-Blue** documentation.



Mod. from E0807 to E1210



Mod. from 1614 to 2422

Model	B6	C	D	D3	E	E1	H
E0807	603	30	43	25	948	1139	193
E0806	507	30	43	25	813	1139	327
E0908	703	30	43	25	1090	1280	193
E0907	607	30	43	25	955	1280	327
E1009	803	30	43	25	1231	1422	193
E1008	707	30	43	25	1096	1422	327
E1211	1003	30	43	25	1514	1704	193
E1210	907	30	43	25	1379	1704	327

Model	B	B6	C	D	D3	E	E1	H
E1614	719	507	30	43	25	1952	2277	327
E1816	819	607	30	43	25	2235	2560	327
E2018	919	707	40	43	25	2518	2843	327
E2422	1119	907	40	43	25	3084	3409	327

Table 1

Spacing	F max
R	900
S	1100
N	1300
C	1500
LIMITS	

NB: · Measurements in mm

· The overall dimensions can be divided into more modules, in accordance with the spacings and weights.



Recuperator S.p.A. reserves the right to introduce alterations in its production and computer programs due to improvements in its quality and without prior notice.



Recuperator S.p.A.
via Valfurva, 13
20027 Rescaldina
Milano, Italy

tel. +39 0331 185 31
fax +39 0331 185 3000
recuperator@recuperator.eu
www.recuperator.eu

Società unipersonale soggetta all'attività di direzione e coordinamento di Carel Industries S.p.A.



member of CAREL group